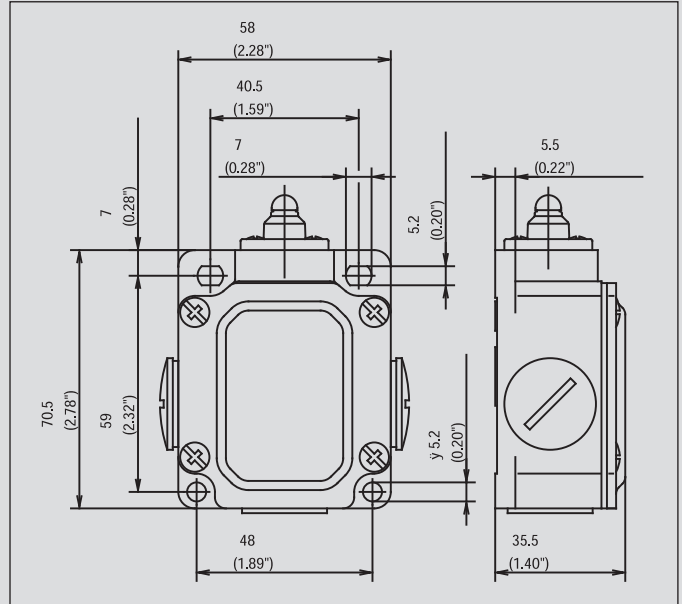


Metal-Enclosed Limit Switches

SN2



Recommended use

With its three cable entries and spacious connection area, the SN2 limit switch is the optimum solution for through-wiring or even branching off electrical circuits.

Product advantages

- Protection class IP 65 to VDE 0470 T1
- Enclosure: Aluminium pressure die-casting
- Cover: Sheet aluminium
- Actuator can be repositioned by 4 x 90°
- Cable entry 3x M20 x 1.5
- Connection designation conforming to DIN EN 50013
- Metal actuators for high loads
- Graduated adjustment of AH lever
- Selectable direction-dependent contact-making of AH actuator (basic setting: contact-making both sides)

Options

- AS interface versions on request
- Preassembled with customer-specific cables and connectors on request

Design layout

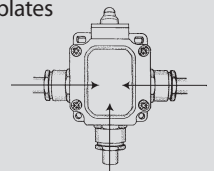
- Slow-action and snap-action contacts
- Versions: 1 NC / 1NO, 2 NC
- All NC contacts with \ominus in the circuit diagram are positively opening contacts
- Type: Zb (galvanically isolated changeover contact)
- Latching function on request

Mounting

- 2 adjustment slots for M5 screws
- 2 addition holes for M5 mounting screws in safety applications

Installation advantages

- 3 cable entries for through-wiring
- Generously dimensioned connection space
- Screw connections with self-lifting clamping plates
- Easy-to-change switching system thanks to snap-in retainer
- Finely adjustable switching point with adjusting screw

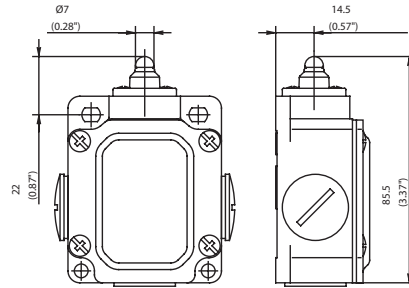


Technical data

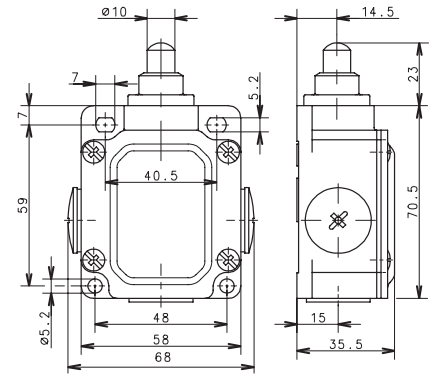
Electrical data		
Rated insulation voltage	U_i max.	400 V AC
Conventional thermal current	I_{the}	10 A
Rated operating voltage	U_e max.	240 V
Utilization category		AC-15, A300, U_e/I_e 240 V/3 A
Short-circuit protection (up to) ^①		Fuse 10 A gL/gG
Protection class		I
Mechanical data		
Enclosure material		Aluminium pressure die-casting
Ambient temperature		-30 °C to + 80 °C
Mechanical service life		10 x 10 ⁶ switching cycles
B10d (up to) ^①		20 Mill.
Switching frequency		max. 100/min.
Type of connection		Screw connections
Conductor cross sections		Single-wire 0.5 – 1.5 mm ² or Stranded wire with ferrule 0.5 – 1.5 mm ²
Cable entry		3 x M20 x 1.5
Protection class		IP 65 conforming to EN 60529, DIN VDE 0470 T1
Standards		
conforming to EN 60947-1; EN 60947-5-1		

^① Depending on switching system. See Table on Pages 70 – 73.

W



LIW



Switching operation

Slow-action

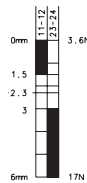
Snap-action

Slow-action

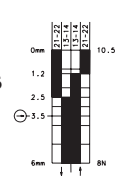
Snap-action

1 NC / 1 NO contact

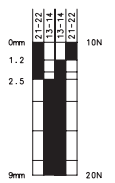
6033103023
SN2-U1Z W



6033353016
SN2-SU1Z W



6033194022
SN2-SU1 LIW



2 NC contacts

2 NO contacts

**1 NC / 1 NO contact
Overlapping**

Approvals



Replacement actuator: 3913030537

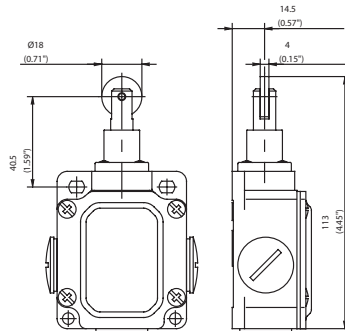
Replacement actuator: 3912440536

Special features / variants
(on request)

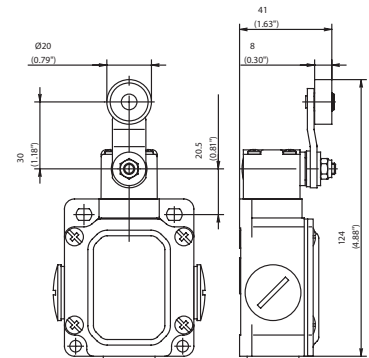
Special features / variants

- Telescopic plunger, particularly long actuation travel of 9 mm

RIW



AHS



Switching operation

1 NC / 1 NO contact

2 NC contacts

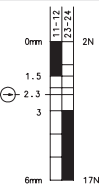
2 NO contacts

1 NC / 1 NO contact
Overlapping

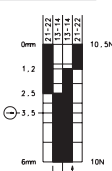
Slow-action

Snap-action

6033117025
SN2-U1Z RIW



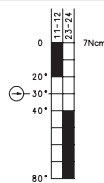
6033367017
SN2-SU1Z RIW



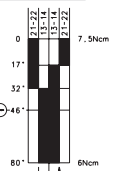
Slow-action

Snap-action

6033135002
SN2-U1Z AHS



6033385018
SN2-SU1Z AHS



Approvals



Replacement actuator: 3918170587

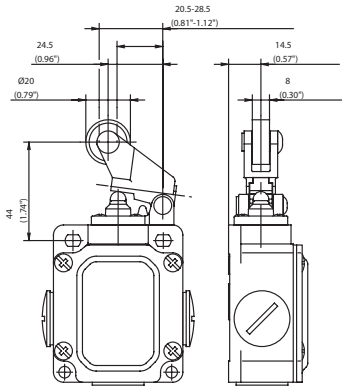
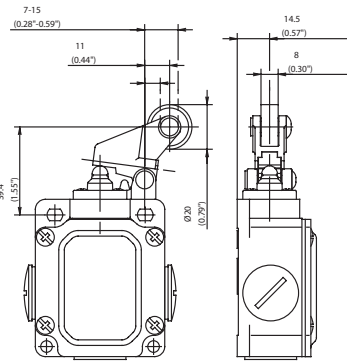
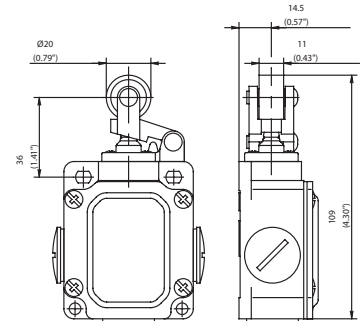
Replacement actuator: 3913351913

Special features / variants (on request)

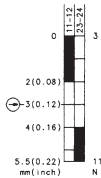
- Available with different actuating directions
- With latching function

Special features / variants (on request)

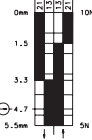
- Available with different actuating directions

DGHW

DGKW

HW

Slow-action
Snap-action

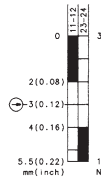
6033121005
SN2-U1Z
DGHW



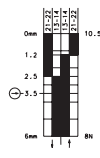
6033371004
SN2-SU1Z
DGHW


Slow-action
Snap-action

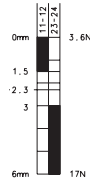
6033127010
SN2-U1Z
DGKW



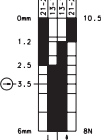
6033377011
SN2-SU1Z
DGKW


Slow-action
Snap-action

6033121007
SN2-U1Z HW



6033371006
SN2-SU1Z HW



Replacement actuator: 3918211656

Special features / variants
(on request)

- Available with different actuating directions



Replacement actuator: 3918271655

Special features / variants
(on request)

- Available with different actuating directions

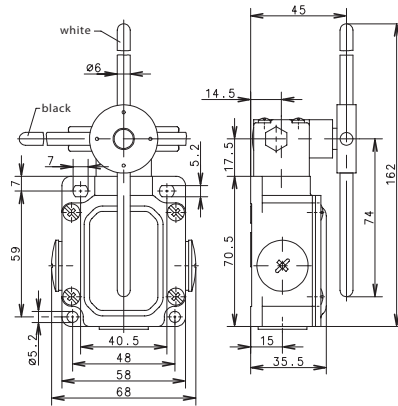


Replacement actuator: 3913210553

Special features / variants
(on request)

- Available with different actuating directions

AD4K



Switching operation

Slow-action Snap-action

1 NC / 1 NO contact

2 NC contacts



6133887022
SN2-SA2Z
AD4K

2 NO contacts

1 NC / 1 NO contact
Overlapping

Approvals

Replacement actuator: 3913371712
without screws,
without seals
3992000042
accessory bag
(40 screws,
10 seals)

Special features / variants
(on request)